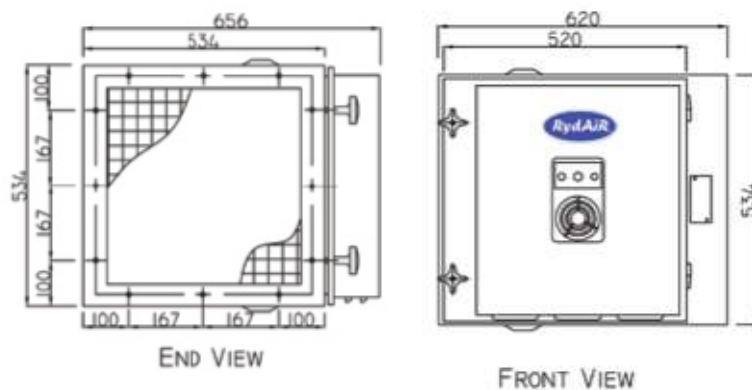
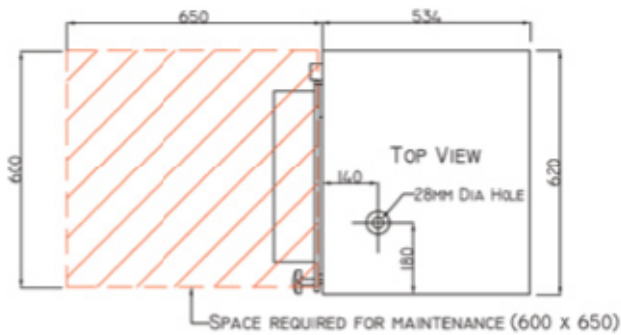


OC Innovations – RY2500

Industrial grade electrostatic air cleaner for collection of dry and wet particulates like dust, oil mist, cooking fumes etc. Typical application include Commercial kitchen exhaust, factories, workshops, CNC machine shops etc



CE
ISO
9001



[Spec sheet overleaf >](#)

OC Innovations – RY2500 (SPECIFICATIONS)

Unit:	H: 534mm / W: 656mm / L: 620mm
Cabinet	1.2mm Electro Galvanized Steel Powder Coated
Finishing	Dark Blue
Weight	40 Kg
Air Volume	Upto 2500m ³ /hr or 0.69m ³ /s
Air Flow	Left to Right, Right to Left
Static Pressure Reqd	100 Pascal
Operating Voltage	220 Vac+/-10%, 50 Hz (Single phase)
Features	Short circuit, arc protection and auto power restore for Power Pack
Efficiency	Up to 95%, meets NIOSH 5026 Oil Mist Test (National Institute for Occupational Safety and Health)
Particle Size	Collects particles as small as 0.01 microns
Controls	Auto cut-off switch when door is opened. Indicator lights for fault, normal or wash function
Cell	H: 480mm / W: 340mm / L: 530mm / Weight: 15Kg each Ionizing voltage: 12 KVdc Collector voltage: 6 KVdc Uses 2 cells, each cell comprising of 9 ionizing wires & 29 collection plates. Total face Area is 0.264 sqm. Effective collection area is 5.8 sqm
Power consumption	50 Watts (1 cell)
Pre-filter Installation	Aluminum mesh, washable Ceiling suspended, wall or frame mounted
Options	Dry contact for Building Management System (BMS)